

## Dati tecnici

### Lubrificazione consigliata:

Olio per utensili pneumatici

### Applicazioni:

Recinzioni, fabbricazione pallet, scatole per l'imballaggio, foderatura, pannelli, pavimentazioni, rivestimenti, fissaggio tavole in legno e altre costruzioni in legno.

### Sistema di funzionamento:

Funzionamento colpo singolo/bump (grilletto nero)  
Funzionamento sequenziale (grilletto rosso)

## Caricamento

1. Sbloccare la chiusura per aprire porta e caricatore.
2. Regolare il livello del caricatore in modo che i chiodi siano allineati con la linea guida.
3. Caricare i chiodi dall'alto del caricatore dentro il sistema di alimentazione.
4. Chiudere il caricatore e assicurarsi che il chiavistello sia chiuso correttamente.

## Technical data

### Recommended lubrications:

Pneumatic tool oil

### Applications & suitability:

Fencing, pallet, packing case, sheathing, panel, floor working, cladding, boarding and other wooden assemblies.

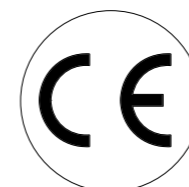
### Actuating system:

Combi-Trigger (single sequential actuation / contact actuation)

## Filling the magazine

1. Release latch to open the door and magazine.
2. Adjust the level of the magazine base so that the nails will feed in line with guides.
3. Load nails onto pivot in the magazine and pull forward so that the nails are inserted into the feeder mechanism.
4. On closing the magazine ensure the latch is closed properly.

195MCN2132\_CN2132\_221014 IV



## Manuale d'uso, manutenzione e parti di ricambio Parte 2

Use, maintenance and spare parts manual Part.2

# CN21.32

cod. 195MCN2132

Indice di modifica  
Upgrade number

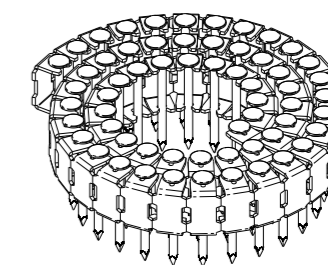
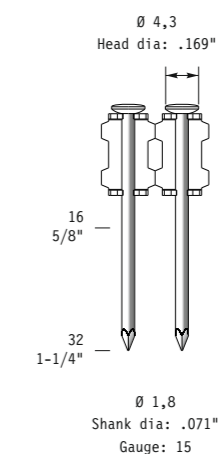
A1

<b>Misure impiegabili mm (inch)</b> Usable lengths mm (inch)	<b>16 ÷ 32</b> <b>(5/8" ÷ 1-1/4")</b>
<b>Capacità caricatore n° punti</b> Magazine capacity No. of fasteners	<b>150</b>
<b>Pressione d'esercizio bar (psi)</b> Working pressure bar (psi)	<b>5 ÷ 7</b> <b>(70 ÷ 100)</b>
<b>Consumo aria litri/colpo a 7 bar</b> Air consumption litres/shot at 7 bar	<b>0,73</b>
<b>Peso kg</b> Weight kg	<b>1,15</b>
<b>Dimensioni (AxBxH) mm</b> Dimensions mm	<b>255x100x213</b>
<b>Pressione sonora</b> Max A-Weighted surface impulse sound pressure level	<b>79,1 dBA</b>
<b>Potenza sonora emessa</b> Max A-Weighted impulse sound power level	<b>92,1 dBA</b>
<b>Vibrazione</b> Vibration	<b>&lt; 2,5 m/s<sup>2</sup></b>

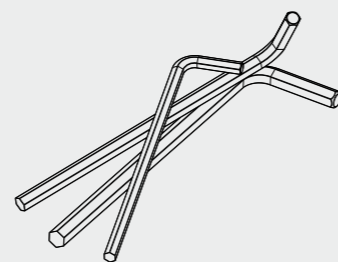
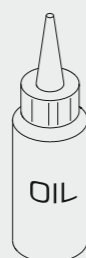
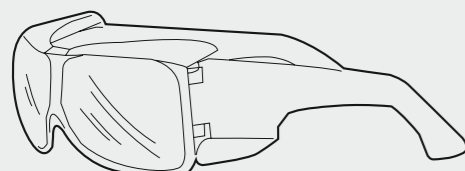
### Tipo di punto

Type of fastener

### CNP 18



## Dotazioni - Equipment

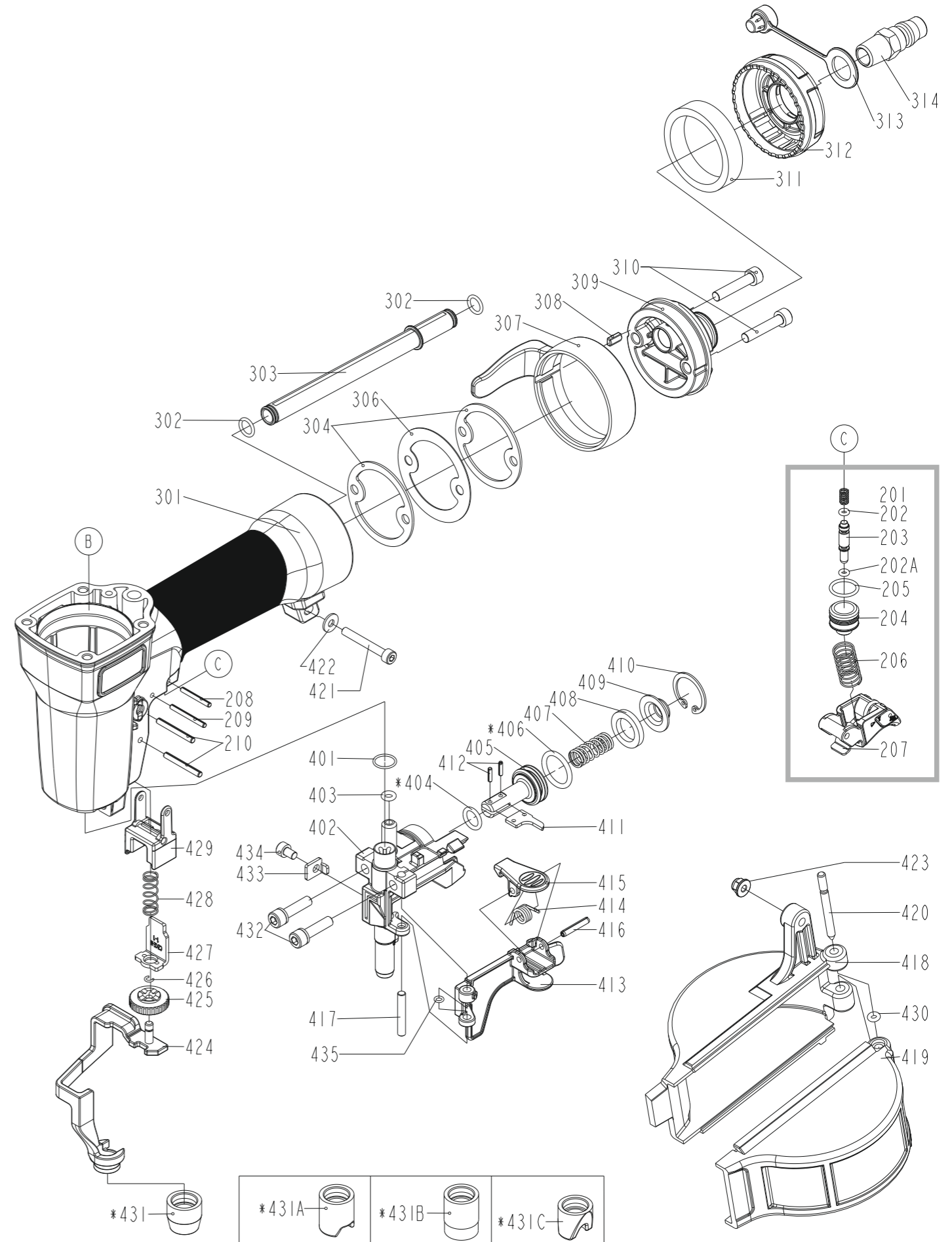
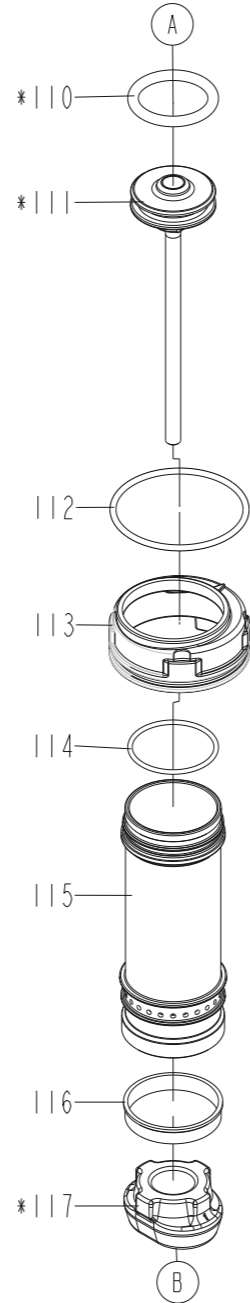
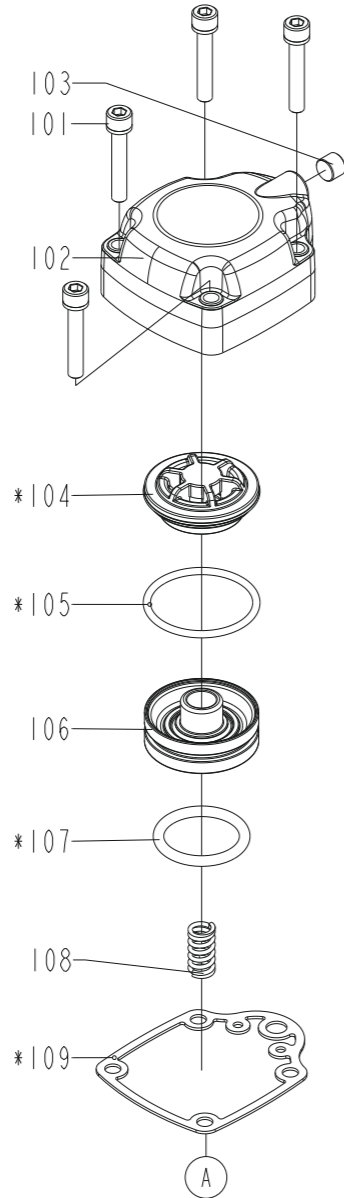


**omer** s.p.a.

Via Foresto, 42 - 31058 SUSEGANA (TV) ITALY  
Tel. 0438 455 318 Fax 0438 455 530  
e-mail: omer@omer.it www.omer.it

Ref. No. Part No. Description

101	2MCN2132-A101	Bolt assy
102	2MCN2132-A102	Cap
103	2MCN2132-A103	Hex. Soc. Hd. Screw
104	2MCN2132-A104	Collar
105	2MCN2132-A105	O-Ring
106	2MCN2132-A106	Hd. Valve Piston
107	2MCN2132-A107	O-Ring
108	2MCN2132-A108	Compression Spring
109	2MCN2132-A109	Cylinder Cap Seal
110	2MCN2132-A110	O-Ring
111	2MCN2132-A111	Driver unit
112	2MCN2132-A112	O-Ring
113	2MCN2132-A113	Cylinder spacer
114	2MCN2132-A114	O-Ring
115	2MCN2132-A115	Cylinder
116	2MCN2132-A116	Cylinder ring
117	2MCN2132-A117	Bumper
201	2MCN2132-A201	Spring
202	2MCN3165-A209	O-Ring
202A	2MCN2132-A202A	O-Ring
203	2MCN2132-A203	Plunger
204	2MCN2132-A204	Valve Plunger
205	2MCN2132-A205	Valve Plunger
206	2MCN2132-A206	O-Ring
207	2MCN2132-A207	Spring
208	2MCN2132-A208	Spring pin
209	2MCN2132-A209	Spring pin
210	2MA34100-A442	Spring pin
301	2MCN2132-A301	Gun Body Unit
302	2MCN2132-A302	O-Ring
303	2MCN2132-A303	Link rod
304	2MCN2132-A304	Gasket
306	2MCN2132-A306	Gasket
307	2MCN2132-A307	Spring retainer
308	2MCN2132-A308	Rubber pad
309	2MCN2132-A309	End cap
310	2MCN3165-A107	Hex. Soc. Hd. Bolt
311	2MCN2132-A311	Muffler
312	2MCN2132-A312	Guide plate
313	2MCN3165-A304	Dusty cover
314	2MCN3165-A305	Air plug
401	2MCN2132-A401	O-Ring
402	2MCN2132-A402	Nose piece
403	2MCN3390-A402	O-Ring
404	2MCN3165-A206	O-Ring
405	2MCN2132-A405	Feed piston
406	2MCN2132-A406	O-Ring
407	2MCN2132-A407	Feed piston spring
408	2MCN2132-A408	Feed Bumper
409	2MCN2132-A409	Feed piston cap
410	2MCN2132-A410	C-ring
411	2MCN2132-A411	Feed finger
412	2MCN2132-A412	Spring pin
413	2MCN2132-A413	Door
414	2MCN2132-A414	Latch spring
415	2MCN3383-A415	Door latch
416	2MCN2132-A416	Spiral pins
417	2MCN2132-A417	Door shaft pin
418	2MCN2132-A418	Magazine case
419	2MCN2132-A419	Magazine cover
420	2MCN2132-A420	Pin
421	2MCN2132-A421	Hex. Soc. Hd. Bolt
422	2MCN2132-A422	Flat washer
423	2MCN2132-A423	Bolt cap
424	2MCN2132-A424	Safety A unit
425	2MCN2132-A425	Adjust axie
426	2MCN2132-A426	Ring
427	2MCN2132-A427	Safety
428	2MCN2132-A428	Safety Spring
429	2MCN2132-A429	Safety guide
430	2MCN2132-A30	O-Ring
431	2MCN2132-A431	Protective tip
431A	2MCN2132-A431A	Protective tip
431B	2MCN2132-A431B	Protective tip
431C	2MCN2132-A431C	Protective tip
432	2MCN2132-A432	Spacer
433	2MCN2132-A433	Pull Spring
434	2MCN2132-A434	Magazine Cover
435	2MCN2132-A435	O-Ring



Parti di ricambio - Spare parts

195MCN2132\_CN2132\_221014 IV

CN21.32

cod. 195MCN2132

Indice di modifica  
Upgrade number

A1

13090001